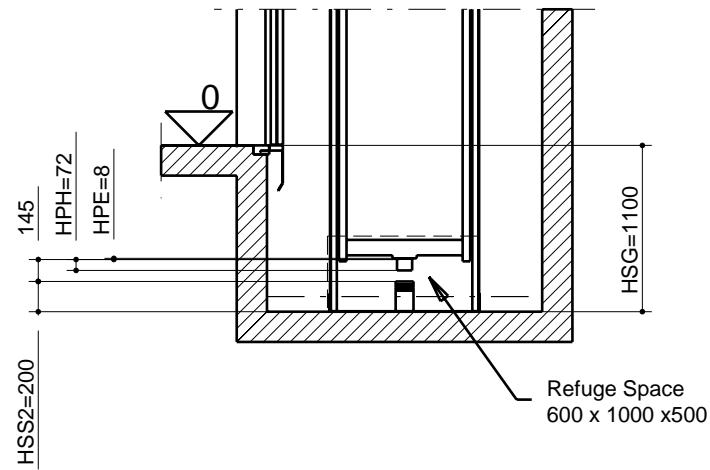
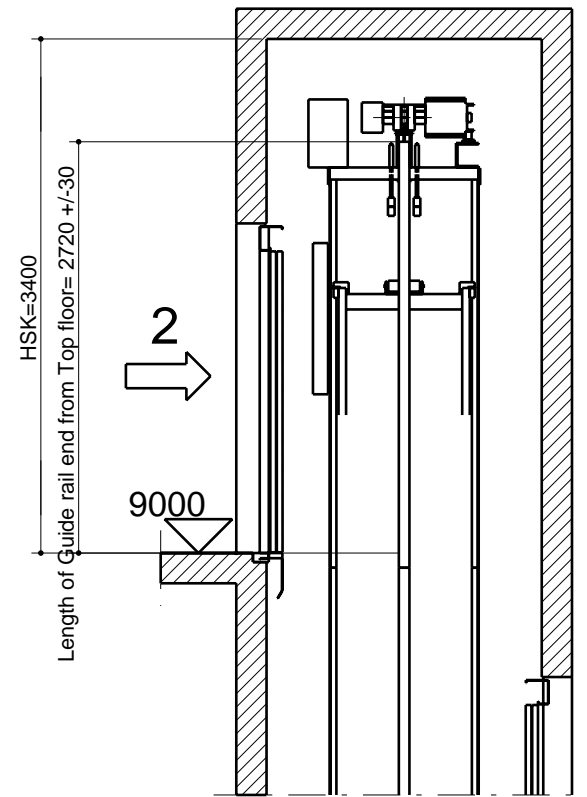
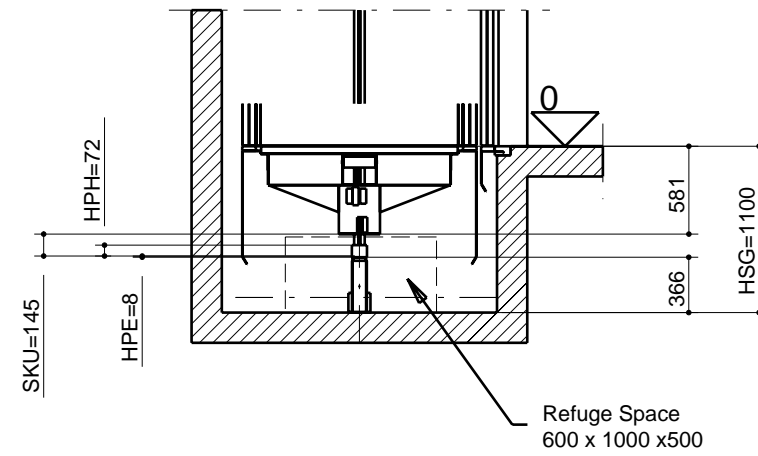
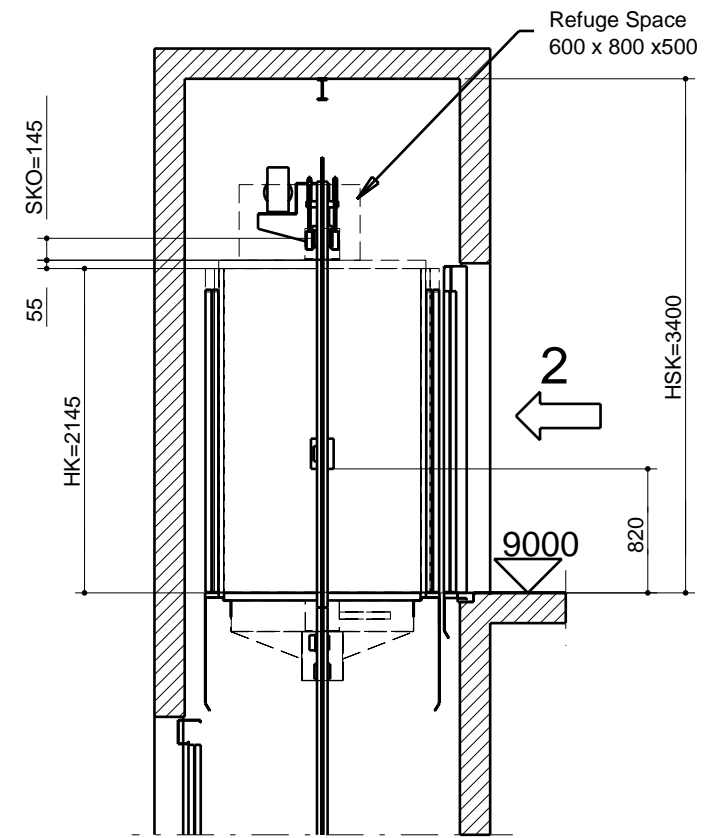


CW vertical Section: 1:50



Car vertical Section: 1:50



Master Dispo		Schindler 3100		
GQ (kg):	535			
BK (mm):	1050			
TK (mm):	1300			
BT (mm):	800			
TSW (mm):	105			
Schindler	Drawn	J. M. Asion	16/01/2006	A3
	Released			
	Plan No.			
	Car & CW vertical sections 3100			