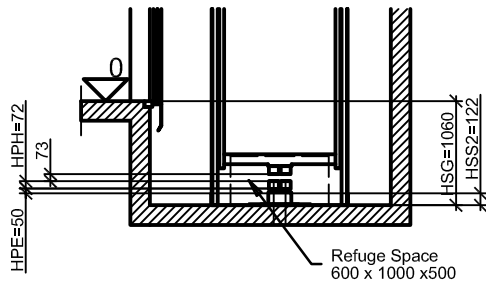
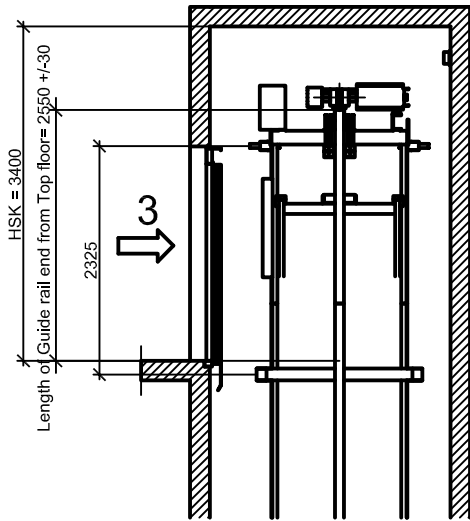
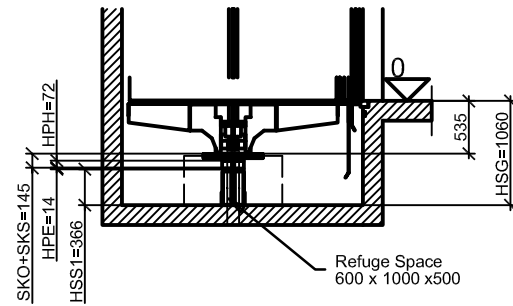
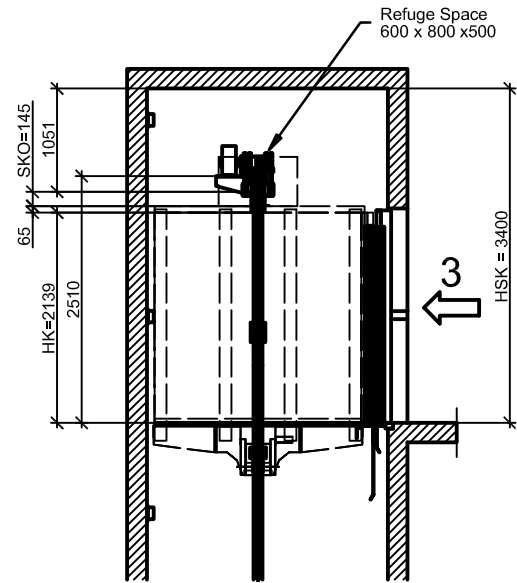


CW vertical Section: 1:50



Car vertical Section: 1:50



Master Dispo

Schindler 3300 / 5300

GQ (kg): 1125  
 BK (mm): 1200  
 TK (mm): 2100  
 BT (mm): 900  
 TSW (mm): 115



Drawn	J. M. Asion	12/09/2005	A3
Released			

Plan No.  
 Car & Counterweight vertical section