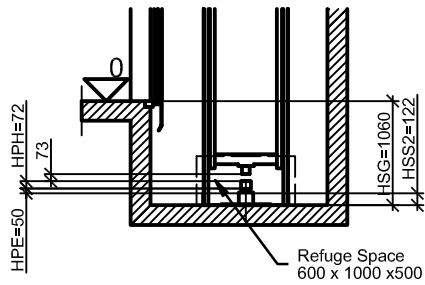
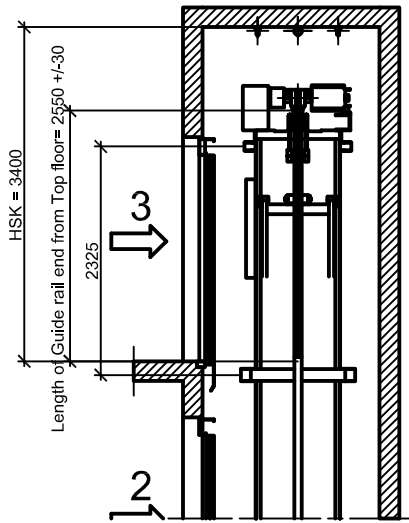
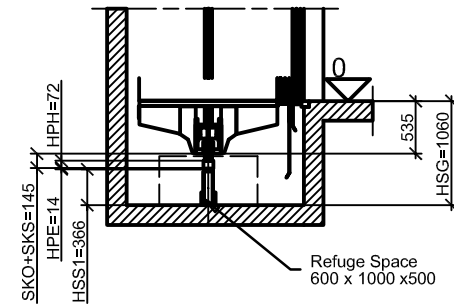
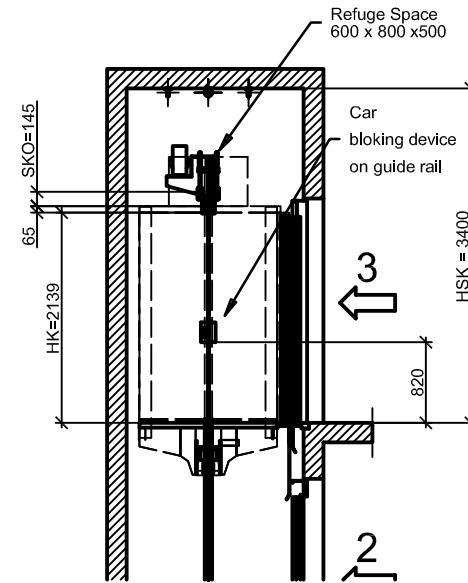


CW vertical Section: 1:50



Car vertical Section: 1:50



Master Dispo

Schindler 3300 / 5300

GQ (kg): 675
 BK (mm): 1200
 TK (mm): 1400
 BT (mm): 900
 TSW (mm): 115



| | | | |
|----------|-------------|------------|----|
| Drawn | J. M. Asion | 15/09/2005 | A3 |
| Released | | | |

Plan No.
 Car & Counterweight vertical section